

LED PARKING



G A R A G E L U M I N A I R E S

E C O N O M Y

E F F I C I E N C Y



V A L U E

PHILIPS



EMCO



The Philips Emco ELG luminaire is designed to meet the unique challenges of parking garage applications while minimizing service needs and maximizing energy savings.

The heart of the ELG is its new high-performance optical system, which was designed expressly for parking structures. The system utilizes an integral array of 54 long-lasting, energy-efficient LEDs oriented to achieve an IES Type V distribution with full cutoff and consistent uniformity of illumination. The result is uncompromising glare control and minimal light trespass, creating a safe environment for vehicles and pedestrians alike.

Beyond its exceptional optical performance, the ELG luminaire also results in significant cost savings due to the low power consumption and long lifetime of the LED array. Aided by an integral thermal control system, the LED arrays carry an L70 rating up to 100,000 hours or more, minimizing the hassle and expense of maintenance. Combined with a rugged extruded aluminum housing that will stand up to the harshest environments, it's clear that the Philips Emco ELG luminaire is a new standard for visibility, efficiency and durability in the parking garage environment.

CONSTRUCTION/MOUNTING

Thermal Management

The ELG luminaire's housing is designed to provide excellent thermal management to prolong the life of the LED optical system. The upper luminaire housing includes lateral airways and integral thermal radiation fins of extruded aluminum, which both permit air flow and dissipate heat. The top of the housing integrates metallic screens that not only allow air to cool the system components, but also strengthen the housing structure and prevent the buildup of dust, dirt and contaminants. Internal components are totally enclosed in a rain-tight, dust-tight and corrosion-resistant extruded aluminum housing to further ensure a long operating life.



Quick Mount Plate

The ELG luminaire is supplied with a die formed galvanized steel plate for mounting to a recessed, surface, or rigid pendant hung 4" (10.16cm) j-box (standard j-box and rigid pendant by others). An integral hanger tab on the plate supports the ELG luminaire during wiring. This mounting design is notable because it permits a simple retrofit at existing parking garages that utilize the Gardco GP1 luminaire and were installed with the same Quick Mount Plate system. Simply swap out the GP1 for superior illumination and maximum energy savings with the ELG luminaire.



LED PERFORMANCE

PREDICTED LUMEN DEPRECIATION DATA ¹		
Ambient Temperature °C	Driver mA	L70 Hours ²
25 °C	311	100,000
	520	75,000
40 °C	311	65,000
	520	50,000

1. Predicted performance derived from LED manufacturer's data and engineering design estimates, based on IESNA LM-80 methodology. Actual experience may vary due to field application conditions.

2. L70 is the predicted time when LED performance depreciates to 70% of initial lumen output.

LED WATTAGE

Ordering Code	Description	LED Quantity	System Watts ^{3,4,5}	LED Current (mA)	Luminaire Initial Absolute Lumens (Type 5) ^{5,6}
60LA	60 watt, (1) LED integral lens array	54	61.5	311	4,414
85LA	85 watt, (1) LED integral lens array	54	93	520	6,230

3. Actual measured system watts are shown.

4. LED wattage may vary by +/- 8% due to LED manufacturer forward volt specification and ambient temperature.

5. LED arrays feature LED's that provide 100 lumens per watt when operated at 350 mA. Luminaire initial absolute lumens per watt range from 66.9 LPW to 71.7 LPW.

6. Lumen values based on system wattage values shown. Lumen values are for luminaires utilizing the CW LED Selection. Multiply lumens by .9 for approximate values for the NW LED selection. Multiply values by .8 for approximate lumen values with DL option. Published lumen values based on test performed in compliance with IESNA LM-79.

LED PARKING GARAGE LUMINAIRES

Philips Emco ELG Parking Garage luminaires provide an excellent quality of light in a parking garage application. The high-performance LED optical systems provide excellent performance, minimizing glare and light trespass. Emco's LED technology with superior thermal control provides maximized light output and maximum energy savings. The Philips Emco ELG utilizes the identical Quick Mount Plate system that has been proven in years of service with the Gardco GP1 garage luminaire family.

ENERGY SAVINGS

	150MH	100MH	60LA	85LA
System Watts	185	129	61.5	93
Annual KWH (24/7)	1620	1130	539	815
Annual Energy Cost (15 cents/KWH)	\$243	\$169	\$80	\$122
Savings vs 150 MH			\$163	\$121
Savings vs 100 MH			\$89	\$47

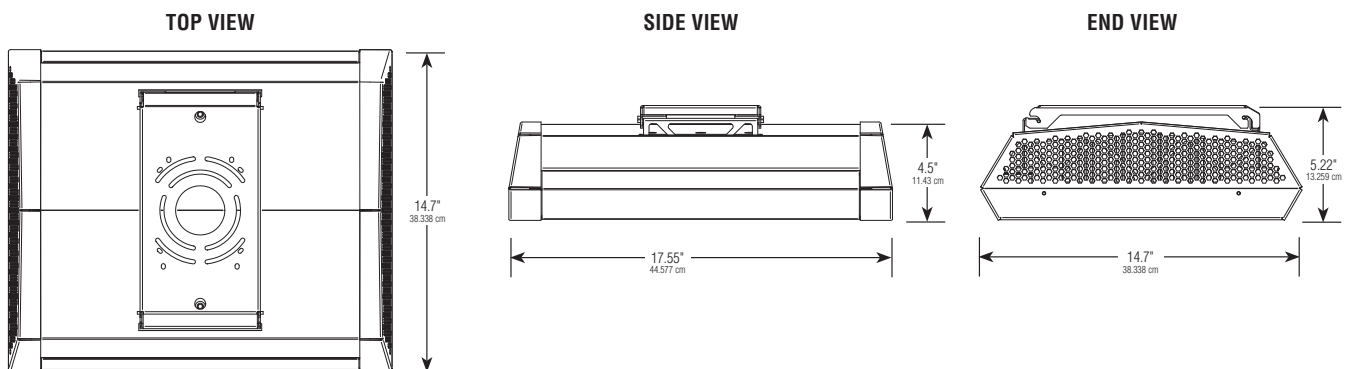
ORDERING

Example	PREFIX	OPTICAL SYSTEM	LED WATTAGE	LED SELECTION	VOLTAGE	FINISH	OPTIONS
	ELG	5	60LA	CW	UNIV	NP	F
	ELG Emco LED Garage Luminaire	5 Type V	60LA 60 watt, (1) LED integral lens array.	CW Cool White 6500°K 75 CRI	UNIV Accepts 120V through 277V, 50hz to 60hz input.	NP Natural Aluminum Paint (Textured Finish)	F Fusing DL Diffusing Lens JB Balanced j-box with offset knock-out <i>For non-rigid sway pendant mount. Pendant by others.</i>
			85LA 85 watt, (1) LED integral lens array.	NW Natural White 4300°K 75 CRI			

Prior to ordering, consult Submittal Data Sheet on sitelighting.com for the most current information, notes and exclusions.

Visit sitelighting.com to find the most current photometric files.

DIMENSIONS



Philips Emco Warranty

Philips Emco luminaires feature a one year limited warranty. Philips Emco LED luminaires with LED arrays feature a five year limited warranty covering the LED arrays. LED drivers are covered by a five year limited warranty. For full warranty information please visit sitelighting.com.

1611 Clovis Barker Road
San Marcos, TX 78666
512/753-1000
800/227-0758
Fax: 512/753-7855
www.sitelighting.com



PHILIPS



EMCO